

Submittal Data

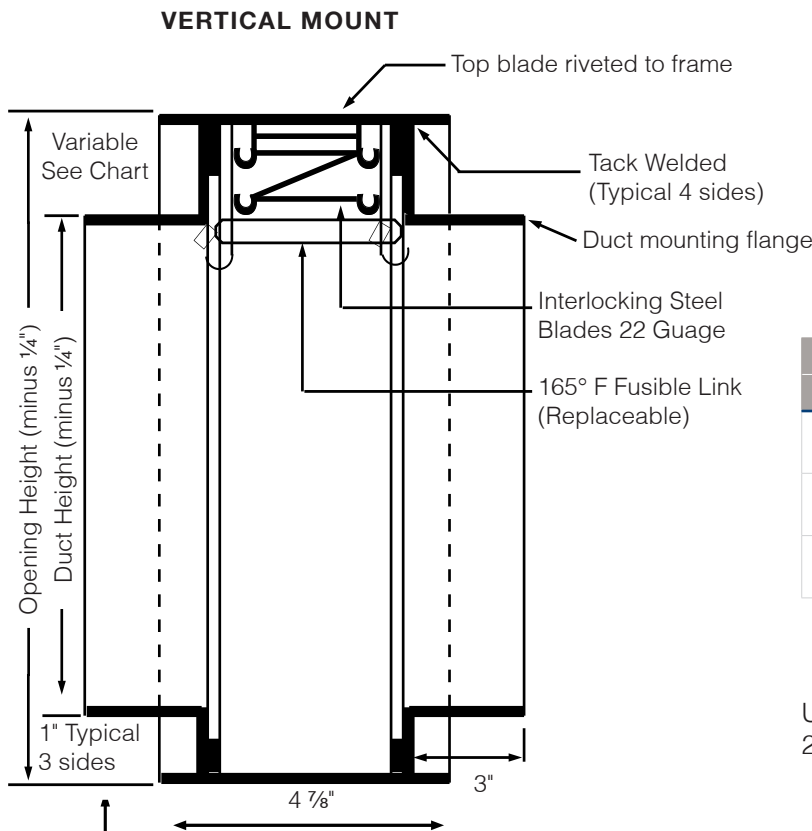
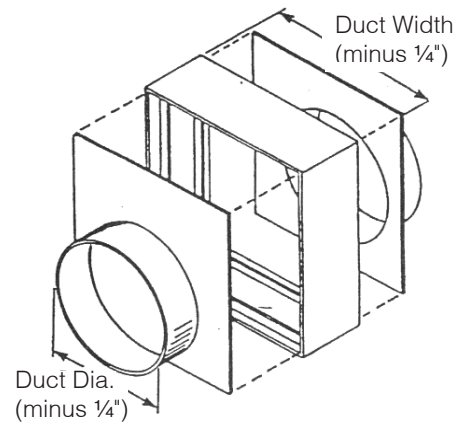
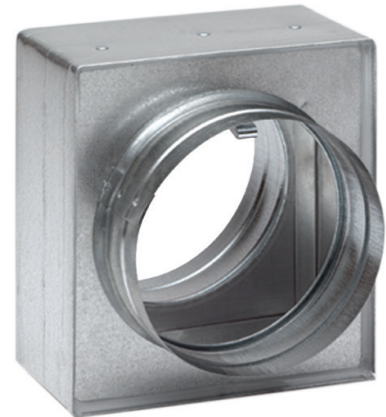
Model 150C Buckley 1.5 HR Rated Round Static Fire Damper

Application

Model 150C is a static rated fire damper approved for use in walls and a 2 hour fire partition. This model carries a 1.5 hour UL fire damper label. UL555 classifies static rated fire dampers for use in HVAC systems that are automatically shut down in the event of a fire.

Standard Construction

- + 22 Gauge Galvanized Steel Blades and Frame
- + Round
- + Fusible Link (replaceable) Standard 165° F
- + Horizontal or Vertical Mount Available
- + Horizontal mount constructed with negator closure springs
- + UL555 Fire Resistant Rating 1.5 Hours Listing R9491
- + Blades out of Air Stream
- + Face Plates and Collar 20 Gauge Galvanized Steel



Single Section Size Availability	
Vertical and Horizontal	Width x Height
Minimum Section	4"
Maximum Section	26" Dia. 28" x 30"
Maximum Duct Size	26" Dia. 28" x 30"

Underwriters laboratories classifies for use in 2 hour fire partitions.

Buckley Associates, Inc.

Manufactured by Buckley Associates, Inc, Hanover, Massachusetts
Sheet Metal Union Local 17.

150C
May 2019

